

MAXIMUM PRODUCT LOAD RATING: 150 kg



IMPORTANT:

- **LOAD = WEIGHT OF PLATFORM or BARS + MOUNTING SYSTEM + ACCESSORIES + CARGO**
- **PLEASE REFER TO VEHICLE MANUFACTURER SPECIFICATIONS FOR MAX ROOF LOAD CAPACITY OF VEHICLE. THE LOWEST LOAD RATING APPLIES.**
- **OFFROAD RATING: SCAN QR CODE FOR LOCKNLOAD LOAD RATING GUIDE. REDUCTIONS MAY APPLY.**



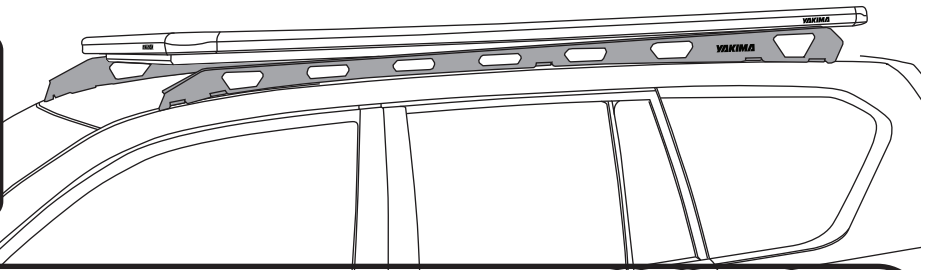
FIRST TIME INSTALLATION

- Please read instructions carefully before installation.
- Check the contents of kit. Each spine has the last four digits of the kit's part number lasered in.
- Contact your YAKIMA dealer if any parts appear missing, incorrect or damaged.
- Clean your roof thoroughly prior to fitting the LockNLoad RuggedLine.
- Place these instructions in the vehicle's glove box after installation is complete.



TOOLS REQUIRED:

- Small Flat Screwdriver
- 10mm Spanner
- 13mm Spanner
- T30 Bit

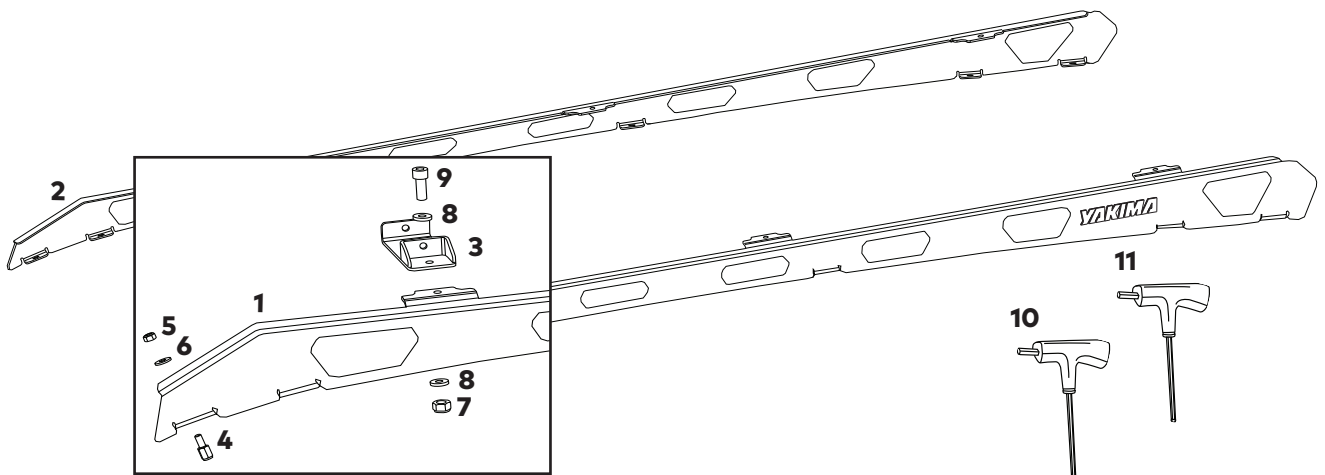


KIT CONTENTS

ITEM	COMPONENT	QTY	ITEM	COMPONENT	QTY
1.	Platinum Left Spine 2178	x1	6.	M6 x 16 mm Washer	x10
2.	Platinum Right Spine 2178	x1	7.	M8 x 1.25 Nyloc Nut	x6
3.	Pivot Bracket Assembly	x6	8.	M8 Washer	x12
4.	M6 Stud Nut	x10	9.	M8 x 20 Socket Head Capscrew	x6
5.	M6 Nyloc Nut	x10	10.	4 mm Hey Key Ball End	x1
			11.	6 mm Hex Key Ball End	x1



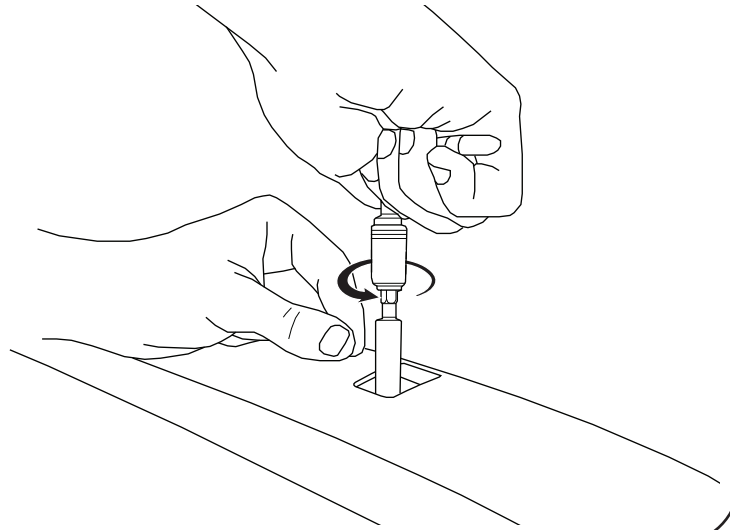
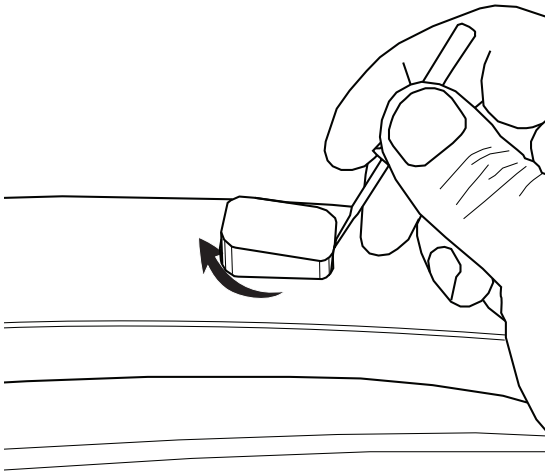
**PLATFORM & COMPONENTS SOLD SEPARATELY
RECOMMENDED PLATFORM SIZE IS 'E' (9820341)**



REMOVING FACTORY ROOF RAILS

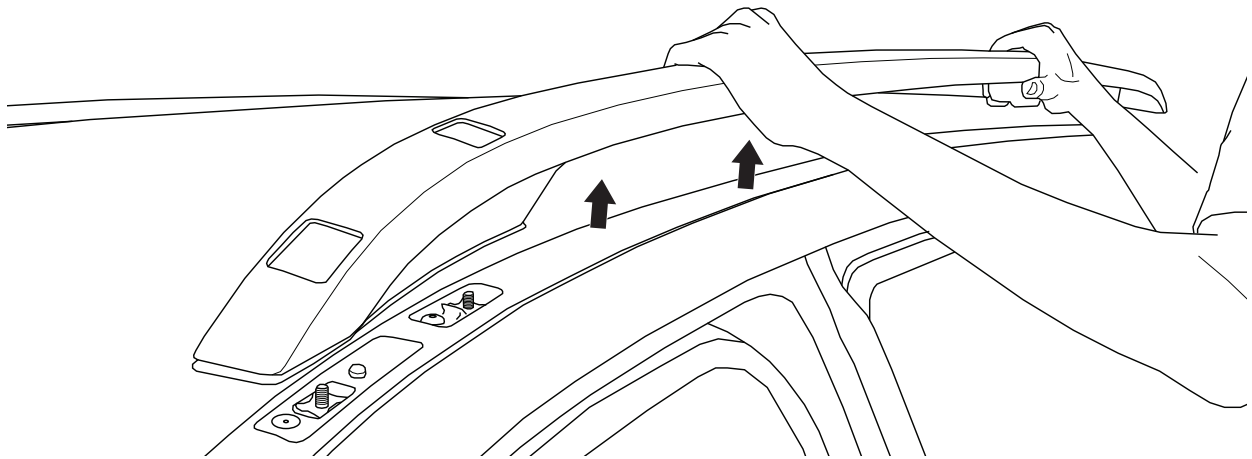
1 REMOVE RAIL GUARDS

Using a small pick, remove the caps on the rails and remove the exposed nuts using a T30 Bit.



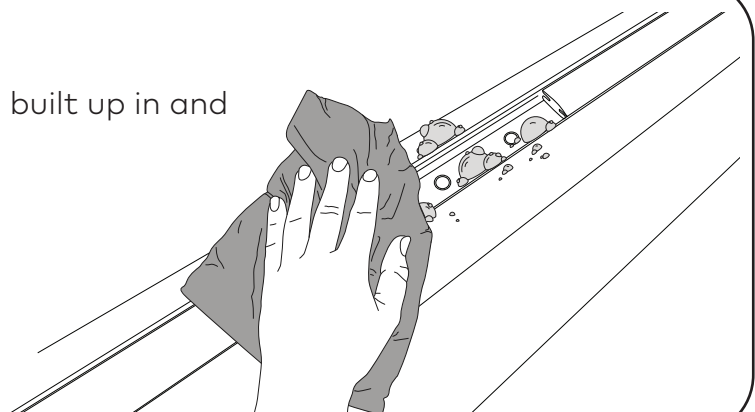
2 REMOVE RAILS

Carefully lift the roof rail and slide out the lock plate, then lift the rail clear.



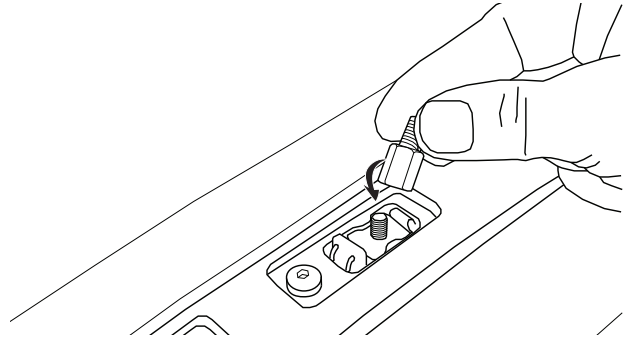
3 CLEAN ROOF

Wipe clean any dirt that may have built up in and around all mounting holes.

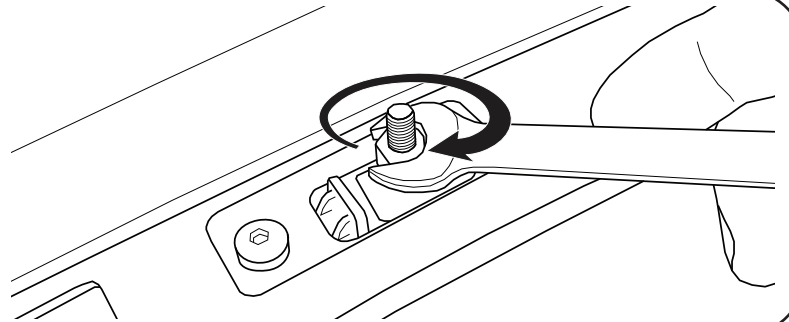


4**INSTALL RAISED BOLT**

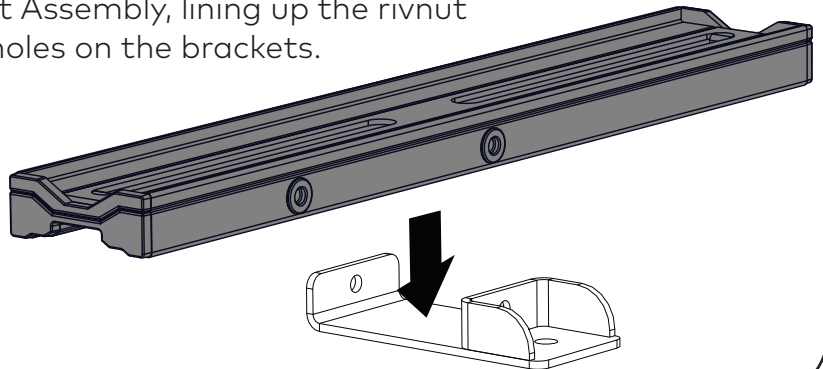
Install the supplied M6 Stud Nuts over the exposed thread.

**5****TIGHTEN RAISED BOLTS**

Using a 10mm spanner, tighten the Stud Nuts to 5 Nm.

**INSTALLING PIVOT MOUNT****6****INSTALL PLATFORM PIVOT MOUNTS**

From the LockNLoad Platform kit (sold separately), position Pivot Mounts into each Pivot Bracket Assembly, lining up the rivnut holes on the Mounts with the holes on the brackets.

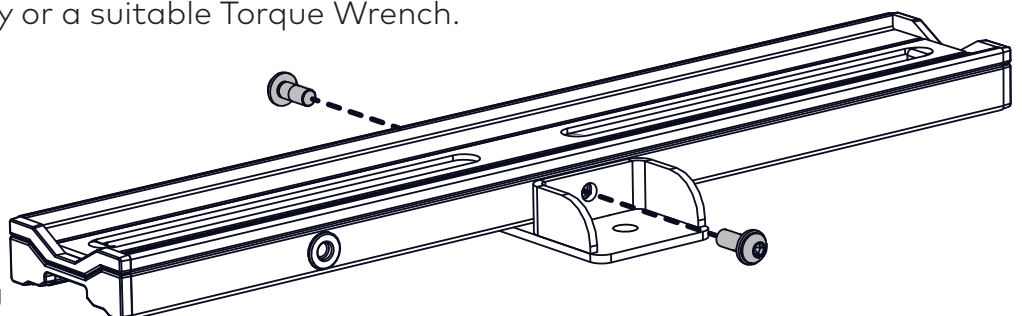


! Where possible, always use the centre holes for attaching to Pivot Bracket. If extra clearance is needed due to Platform-to-roof fitment needs, the offset holes can be used.

7**SECURE PLATFORM PIVOT MOUNTS**

Secure all Platform Pivot Mounts with 2 x 16 mm M6 Capscrews with Washer from LockNLoad Platform kit as shown.

Tighten all Capscrews to 4 Nm with the provided 4 mm Ball End Allen Key or a suitable Torque Wrench.

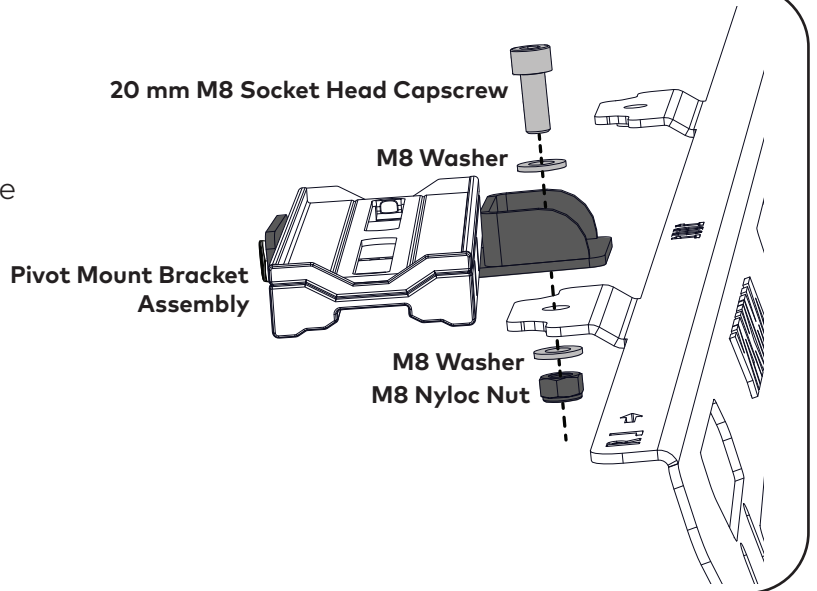


NOTE - The Pivot Mount assembly will still have movement after securing which is intended.

8

ASSEMBLE PIVOT BRACKET TO RUGGEDLINE

Assemble Pivot Bracket and M8 hardware as pictured. Complete this for the 2 mounting holes on top of the RuggedLine Spine.

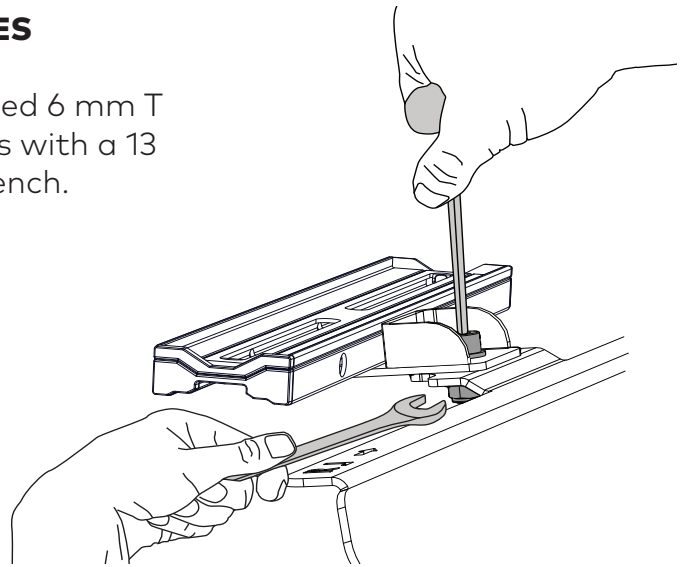


9

SECURE PIVOT BRACKET ASSEMBLIES

Tighten all Capscrews with the provided 6 mm T Handle Ball End Allen Key, and all Nuts with a 13 mm Spanner or a suitable Torque Wrench.

Ensure all Capscrews and Nuts are tightened to 7 Nm.



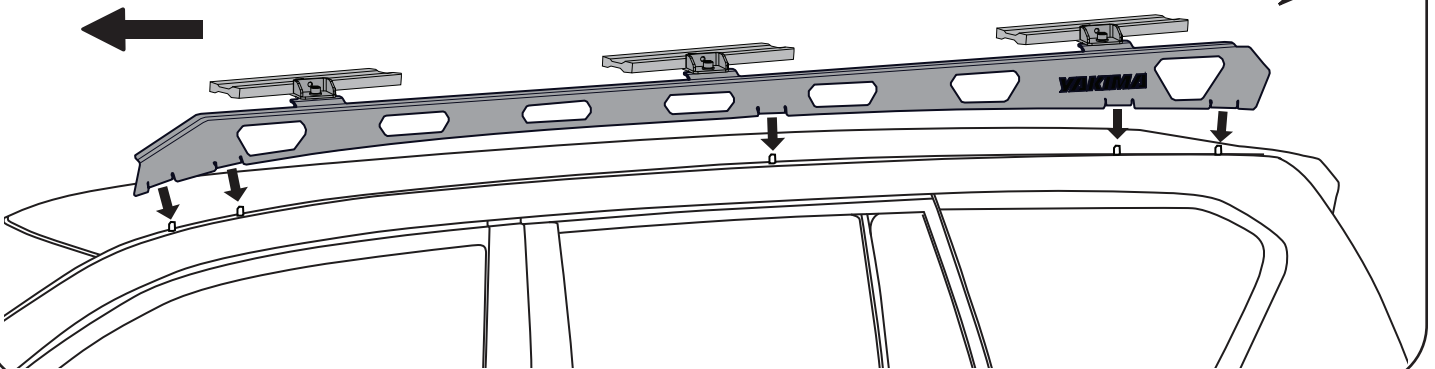
MOUNTING RUGGEDLINE

10

POSITION RUGGEDLINE ON VEHICLE ROOF

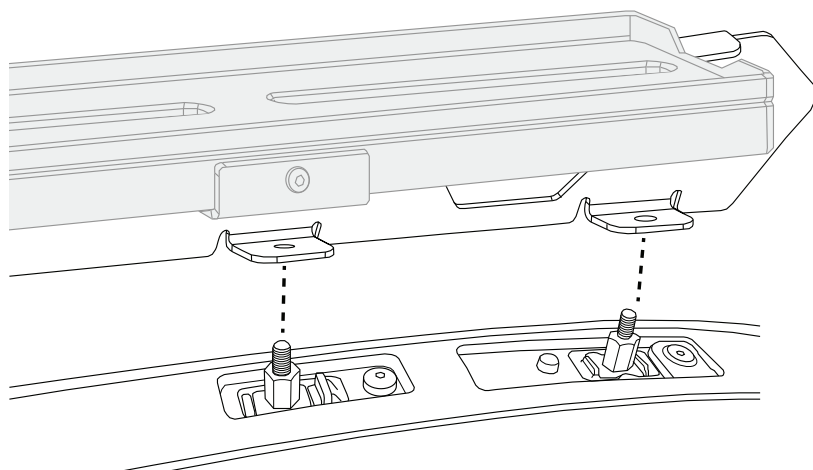
Referring to the left-right orientation on top of each Spine, carefully place one side of the RuggedLine onto vehicle roof as shown. Line up the mounting holes on the bottom tabs to those exposed on the roof.

Front of vehicle

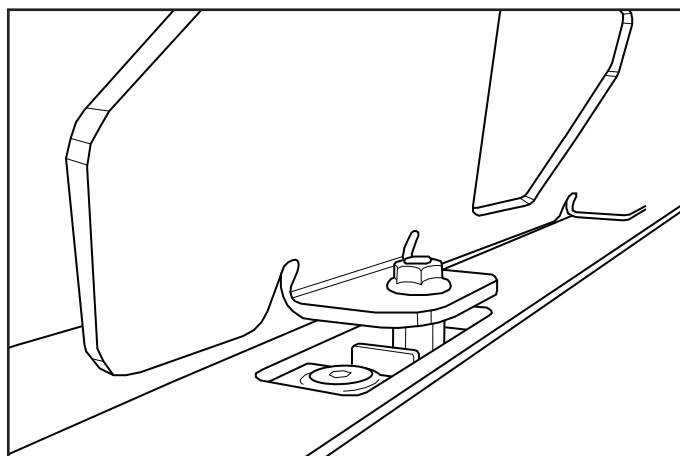
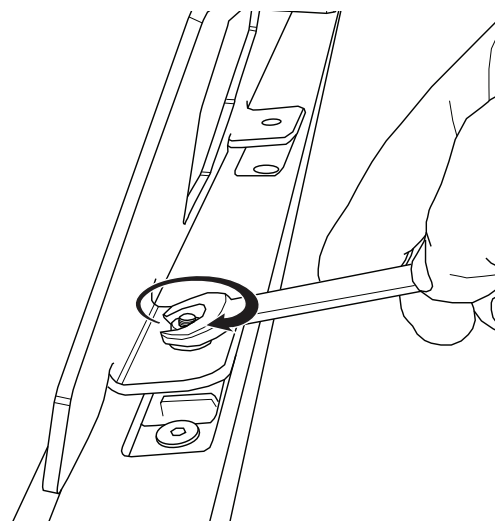


11**LINE UP RUGGEDLINE HARDWARE**

Ensure that the holes in the spine align with the Stud Nuts.

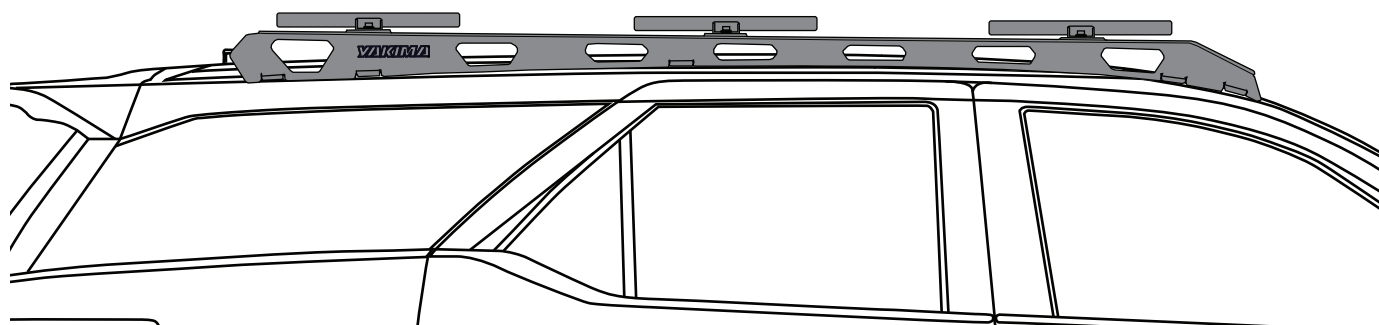
**12****SECURE RUGGEDLINE SPINE TO BOLT**

Using the 10 mm spanner, tighten the Nyloc Nut to 5 Nm bolt to secure the spine.

**13****REPEAT STEPS TO OPPOSITE SIDE**

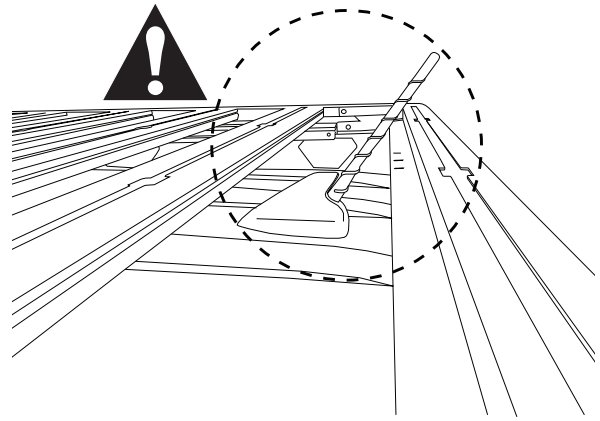
Repeat steps 10-12 for securing opposite side of RuggedLine Spine.

Ensure both Spines are securely positioned on vehicle roof. Check each screw is secure before proceeding to install LockNLoad Platform to RuggedLine Spines.

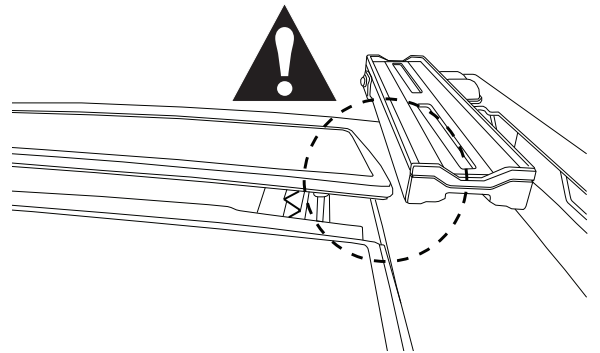


IMPORTANT WARNINGS

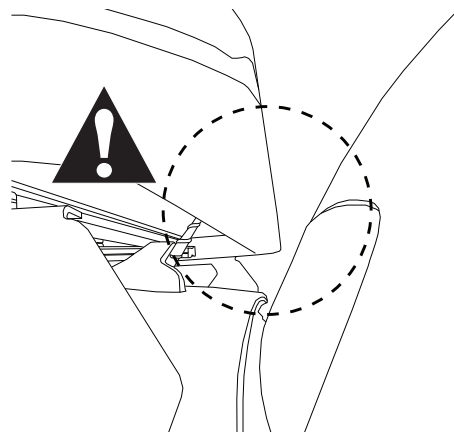
For vehicles with rear roof antenna, be sure to fit the platform accordingly and ensure antenna remains undamaged.



For vehicles with sunroof ensure that the sunroof will not interact with pivot mounts.



When opening rear door, ensure vehicle door does not come into contact with platform.



**NOW SWITCH TO YOUR LOCKNLOAD PLATFORM
INSTRUCTIONS AND CONTINUE FROM THE
'VEHICLE MOUNTING INSTRUCTIONS' PAGE.**



www.yakima.com.au
www.yakima.co.nz
www.yakima.com
www.yakima.eu

YAKIMA AUSTRALIA PTY LTD

17 Hinkler Court
Brendale, QLD 4500
Australia
1800 143 548
yakimaglobal.com

**YAKIMA PRODUCTS,
INC.**

4101 Kruse Way
Lake Oswego, OR
97035-2541
USA
888 925 4621
yakima.com/support

ALL CONTENT SUBJECT TO YAKIMA AUSTRALIA PTY LTD COPYRIGHT © 2022