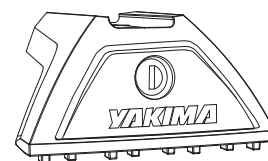


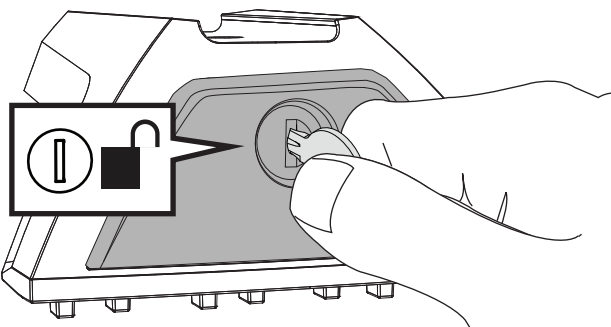
THESE INSTRUCTIONS SUPPLEMENT THE BAR/LEG INSTALLATION SECTIONS THAT FEATURE THE MK2 LEG IN YOUR VEHICLE FIXED OR TRACK MOUNT FITTING KIT INSTRUCTION



BAR INSTALLATION

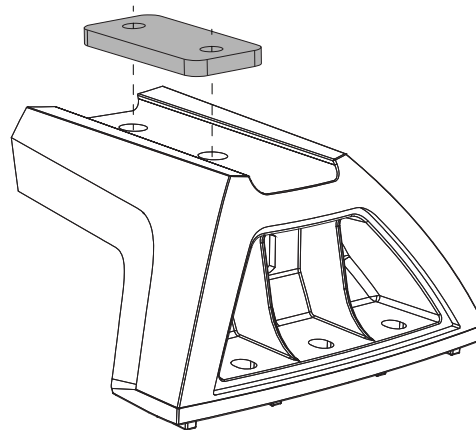
1 REMOVE LEG COVERS.

Using the keys supplied in the LockNLoad leg kit (sold separately), remove all leg covers.

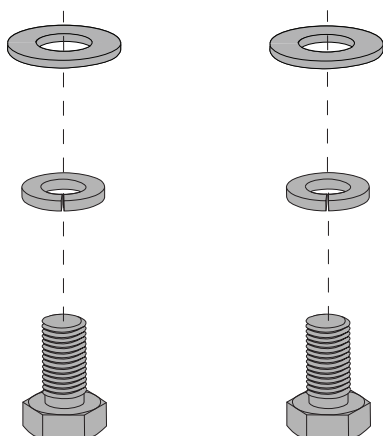


2 LEG ASSEMBLY.

From the LockNLoad leg kit, position nut plates over holes on top of legs.

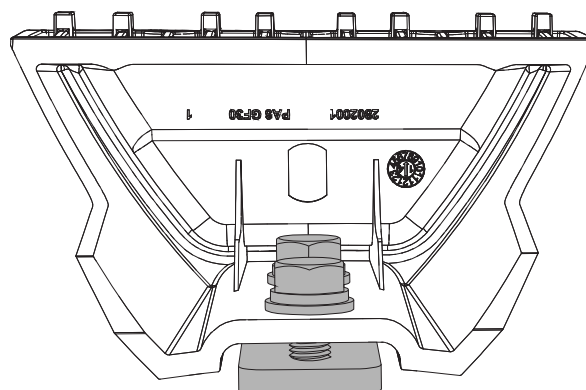


3 From the LockNLoad leg kit, assemble 1 x M8 spring washer and 1 x M8 washer onto each M8 set screw 16 mm in the order shown.



4 Loosely finger tighten nut plates to legs as shown using the screw assemblies from the previous step.

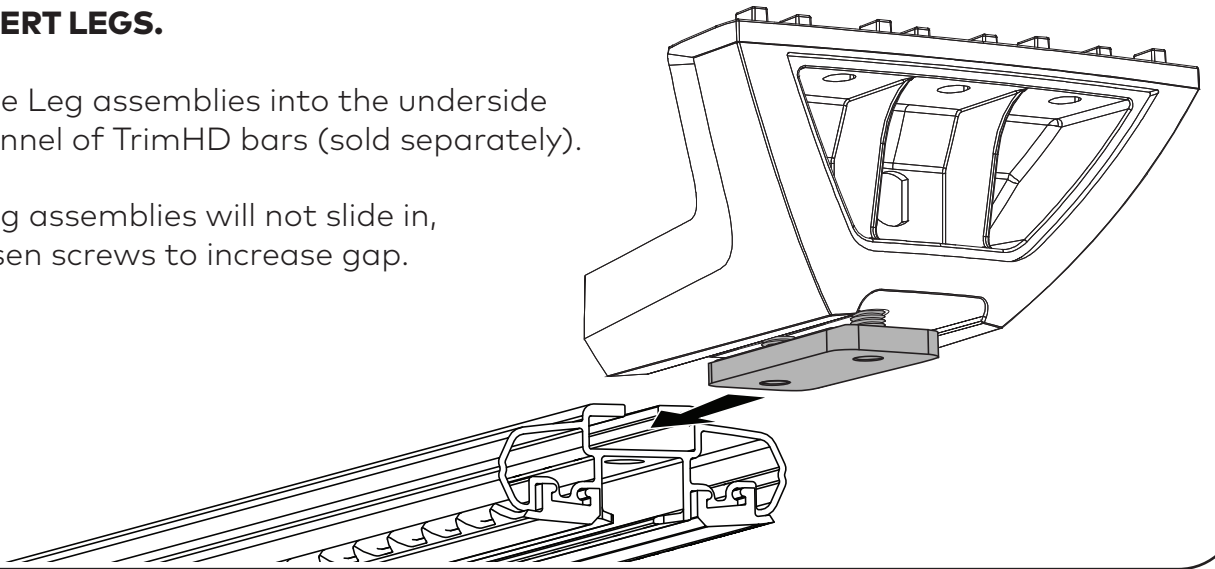
Ensure there is a sufficient gap between the nut plates and legs for the next step.



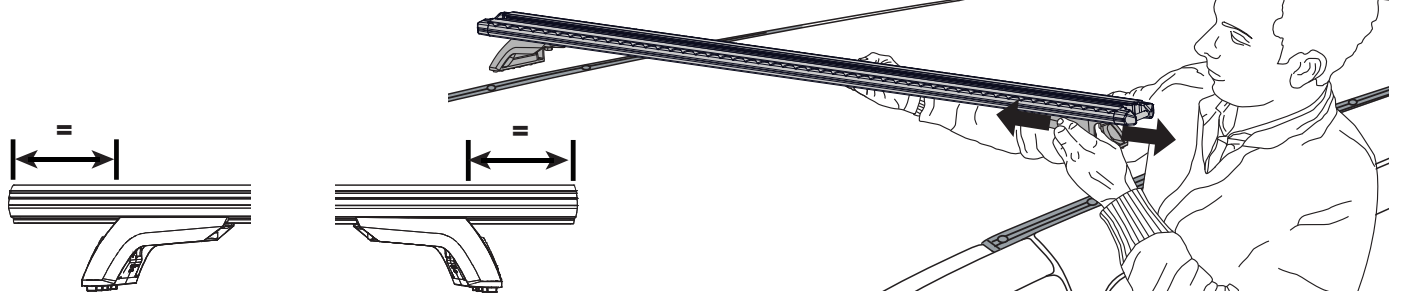
5**INSERT LEGS.**

Slide Leg assemblies into the underside channel of TrimHD bars (sold separately).

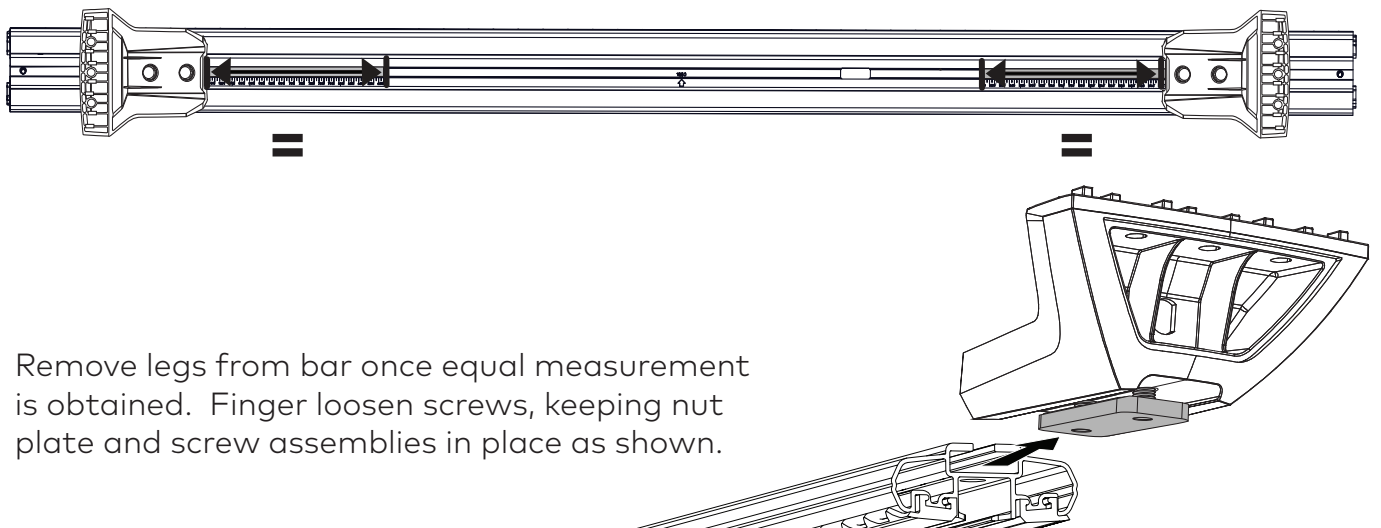
If leg assemblies will not slide in, loosen screws to increase gap.

**6****BAR PLACEMENT.**

Carefully place a bar assembly over track. **Take care not to damage vehicle.** Slide legs along bar until both legs are securely positioned within track. Use a tape measure to ensure even bar overhang on each side, re-adjust if required. Finger tighten one of the leg screws on each leg so they are secure, then carefully remove bar from vehicle.

**7****CHECK BAR SLOT MEASUREMENTS.**

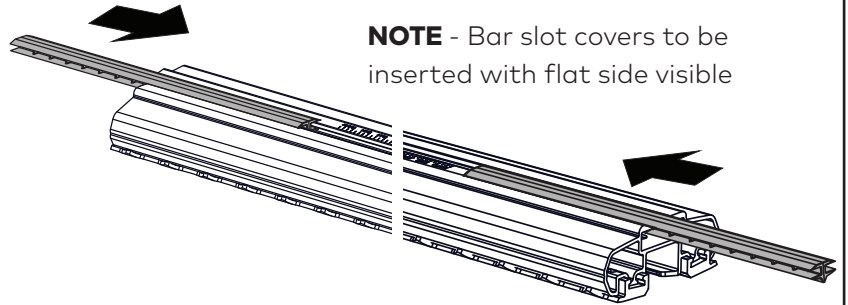
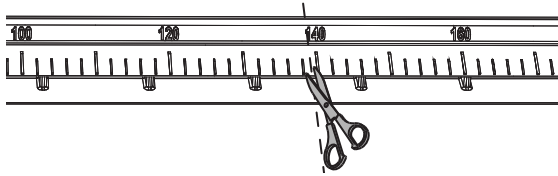
Using the measurements on underside of bar, record leg to underside slot distance from the bar used in the previous step. Ensure measurement is taken from the centre of the legs as shown. Both ends should be the same measurement, if not, repeat step 6.



Remove legs from bar once equal measurement is obtained. Finger loosen screws, keeping nut plate and screw assemblies in place as shown.

8**BAR SLOT COVERS.**

Cut bar slot covers into four pieces according to the measurement taken in step 7. Insert into underside channel of front and rear bar ends as shown.

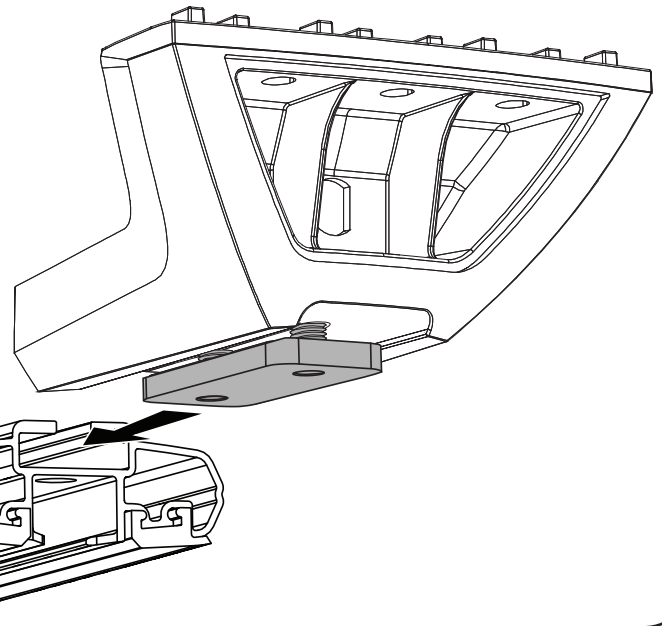


NOTE - Bar slot covers to be inserted with flat side visible

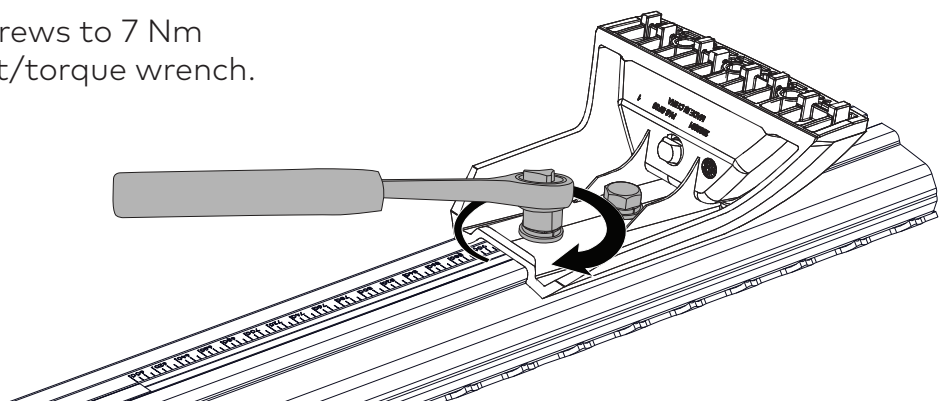
9**INSERT LEGS.**

Slide leg assemblies into the underside channel of bars. Slide in until leg reaches slot cover.

Do not compress slot cover.

**10****SECURE LEGS TO BARS.**

Tighten all M8 set screws to 7 Nm using a 13 mm socket/torque wrench.



FOR PLATFORM INSTALLATION, SWITCH TO YOUR LOCKLOAD PLATFORM INSTRUCTIONS AND CONTINUE FROM THE 'LEG MOUNTING INSTRUCTIONS FOR GUTTER MOUNT & MK1 LEGS' PAGE.