

**MAXIMUM PRODUCT LOAD RATING: 100 kg**



**IMPORTANT:**

- **LOAD = WEIGHT OF PLATFORM or BARS + MOUNTING SYSTEM + ACCESSORIES + CARGO**
- **PLEASE REFER TO VEHICLE MANUFACTURER SPECIFICATIONS FOR MAX ROOF LOAD CAPACITY OF VEHICLE. THE LOWEST LOAD RATING APPLIES.**
- **FOR CANOPY INSTALLATIONS SEEK LOAD CAPACITY OF CANOPY FROM THE MANUFACTURER. ONCE AGAIN, THE LOWEST LOAD RATING APPLIES.**
- **OFFROAD RATING: SCAN QR CODE FOR LOCKNLOAD LOAD RATING GUIDE. REDUCTIONS MAY APPLY.**



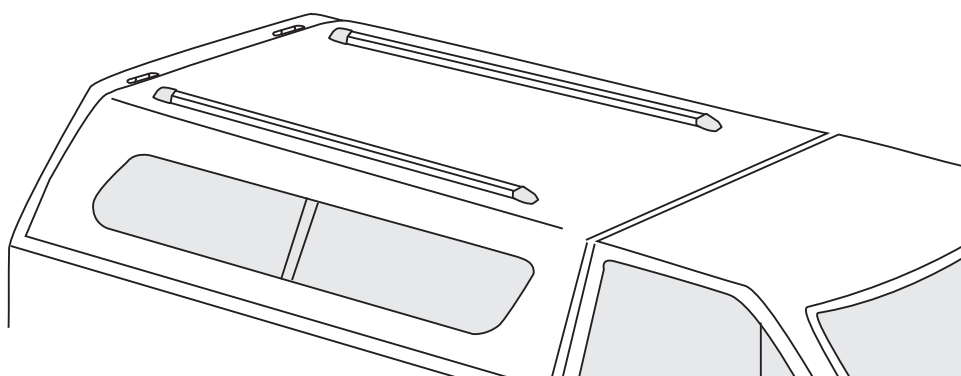
## FIRST TIME INSTALLATION

- Please read instructions carefully before installation.
- Check the contents of kit. Contact your YAKIMA dealer if any parts appear missing or damaged.
- Clean your canopy roof thoroughly prior to fitting the LockNLoad Universal Track System.
- Place these instructions in the vehicle's glove box after installation is complete.



**TOOLS REQUIRED:**

- Marking Pen
- Tape Measure
- Power or Cordless Drill
- 3 mm Drill Bit
- 6 mm Drill Bit
- Vacuum Cleaner
- Mastic Silicone Sealant
- 3 mm Allen Key

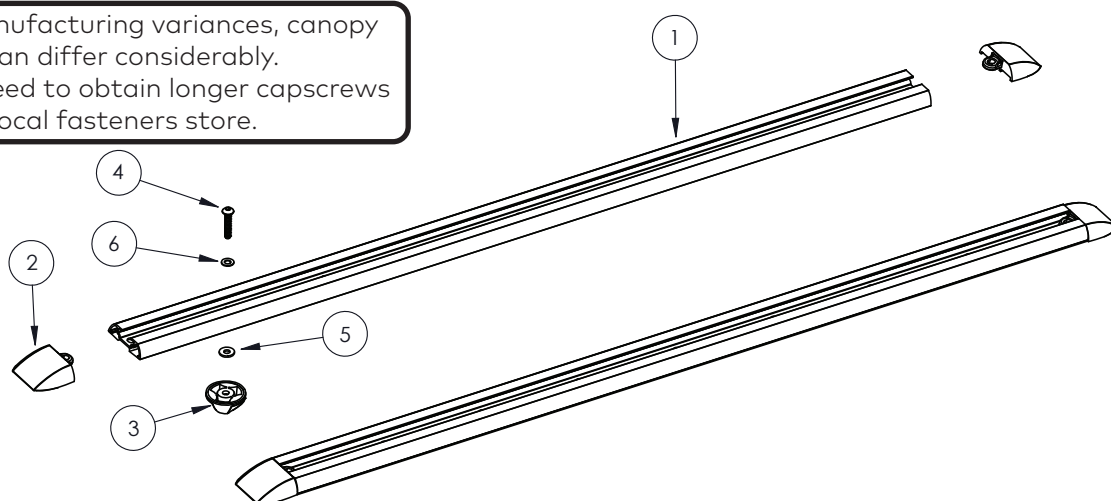


## KIT CONTENTS

| ITEM | COMPONENT                | 800 mm Track Kit (8000360) | 1000 mm Track Kit (8000361) | 1200 mm Track Kit (8000362) | 1600 mm Track Kit (8000364) | 2000 mm Track Kit (8000366) |
|------|--------------------------|----------------------------|-----------------------------|-----------------------------|-----------------------------|-----------------------------|
| 1.   | Universal Track and Base | x2                         | x2                          | x2                          | x2                          | x2                          |
| 2.   | Track End Cap            | x4                         | x4                          | x4                          | x4                          | x4                          |
| 3.   | Cap Nut                  | x12                        | x14                         | x16                         | x20                         | x24                         |
| 4.   | Capscrew (3/16" x 3/4")  | x12                        | x14                         | x16                         | x20                         | x24                         |
| 5.   | Nylon Washer White       | x12                        | x14                         | x16                         | x20                         | x24                         |
| 6.   | Nylon Washer Black       | x8                         | x10                         | x12                         | x16                         | x20                         |



Due to manufacturing variances, canopy thickness can differ considerably. You may need to obtain longer capscrews from your local fasteners store.

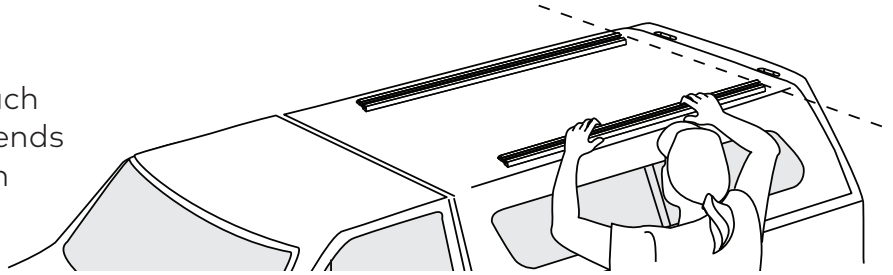


# TRACK INSTALLATION

# 1

## TRACK POSITIONING

Align Tracks parallel to each other and position Track ends at an equal distance from rear of canopy.



After positioning Tracks, check underside of canopy for any possible obstructions such as support ribs or panel joints that may interfere with Cap Nut hardware at any of the hole locations. (Cap Nut dimensions are 32 mm diameter x 13 mm tall.) You may have to adjust your track position to avoid all obstructions, two different hole pattern options are given in step 2.

**Ensure Tracks are kept parallel.**

**NOTE** - Two magnets (one on the topside, and one on the underside) can be helpful for pin pointing hole locations inside the shell. Use caution with magnets to avoid damaging the canopy finish.

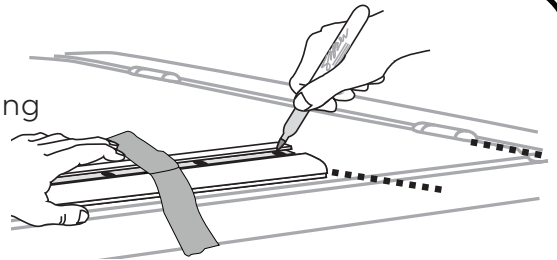
# 2

## MARK DRILL HOLES

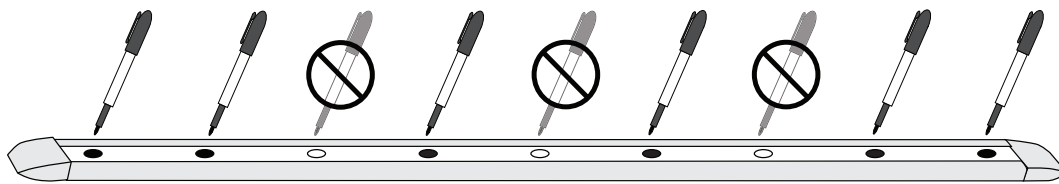
Use masking tape to hold the Track in place. Using a marking pen, outline the holes to be drilled.



**CAUTION** - Track Base can slide. Ensure it is aligned to the Track.



**HOLE PATTERN 1 (preferred)** - Outline the two front-most and rear-most holes. After this, alternate holes along the track.

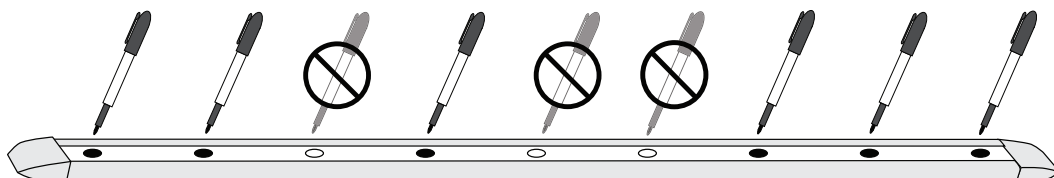


← **Vehicle Front**

**NOTE** - 800 mm Track shown.

**OR**

**HOLE PATTERN 2** - For some installs it may be necessary to clear internal reinforcements, roll cages, or other items. If this is the case, the below example pattern can be used. **Do not** skip more than two holes in a row. The two front- and rear-most holes must always be fixed.

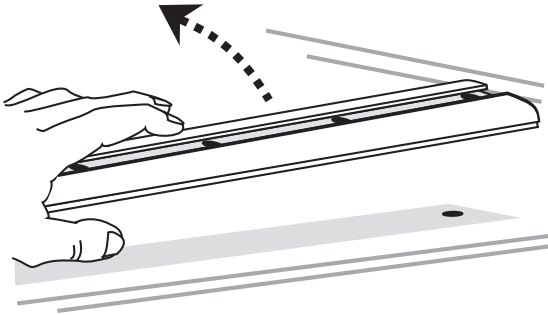


← **Vehicle Front**

**NOTE** - 800 mm Track shown.

### 3 REMOVE TRACK

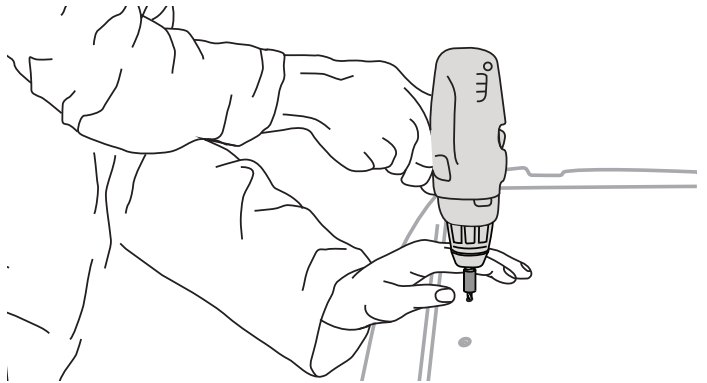
Remove Track from canopy.



 **Never drill through Track.**

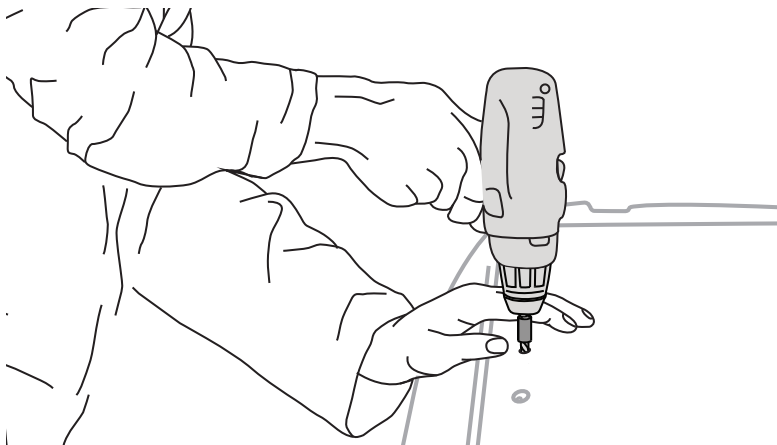
### 4 DRILL PILOT HOLES

Using a 3 mm Drill Bit, carefully drill pilot holes in center of marks. Ensure a drilling angle perpendicular to the canopy surface is maintained throughout.



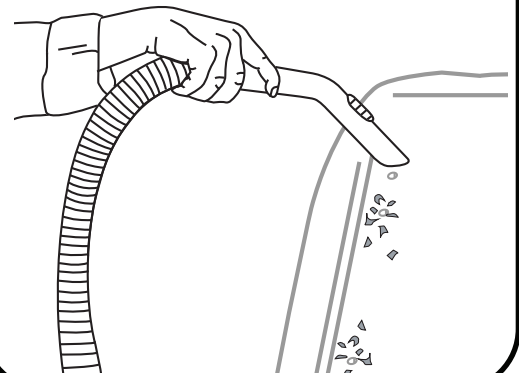
### 5 COMPLETE DRILLING

Using a 6 mm Drill Bit, carefully drill into pilot holes. Ensure a drilling angle perpendicular to the canopy surface is maintained throughout.



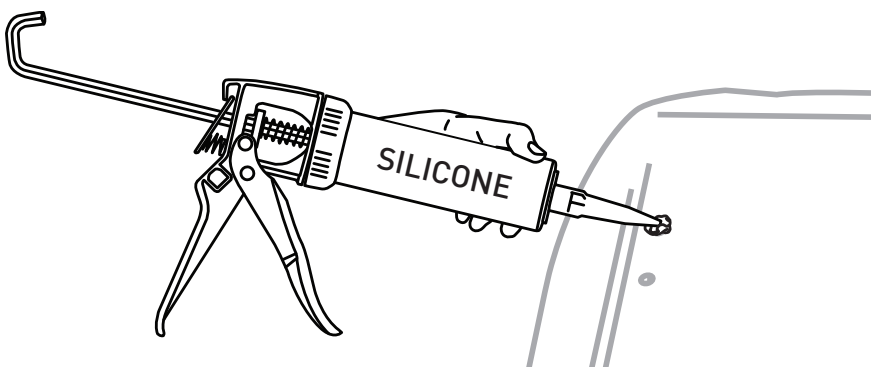
### 6 REMOVE SWarf

Using a vacuum cleaner carefully remove swarf from canopy, taking care not to scratch the vehicle.



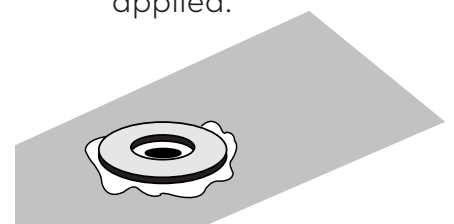
### 7 APPLY SILICONE SEALANT

Protect roof channel by applying a Mastic Silicone Sealant to the inside surface and surrounds of each drilled hole.



### 8 PLACE WHITE WASHERS

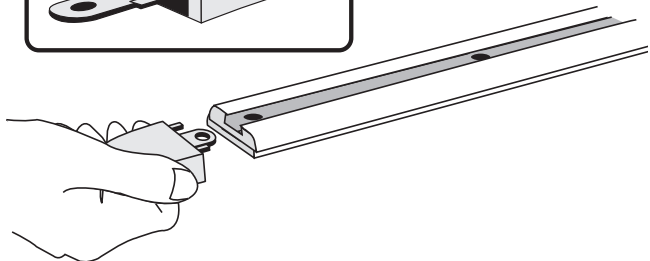
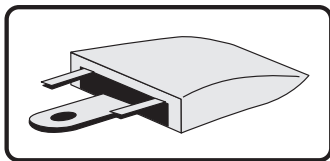
Place a large, White Nylon Washer onto each hole to which silicone has been applied.



**NOTE** - Washer should be flat against drilled hole.

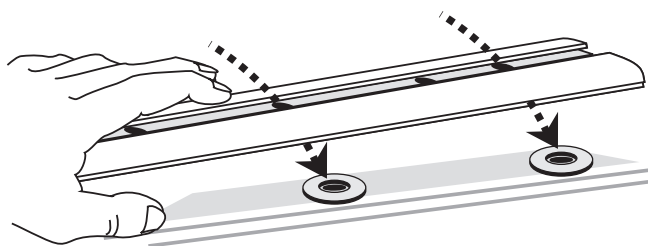
## 9 END CAP FITMENT

Align End Caps and slide into position on Track ends.



## 10 PLACE TRACK

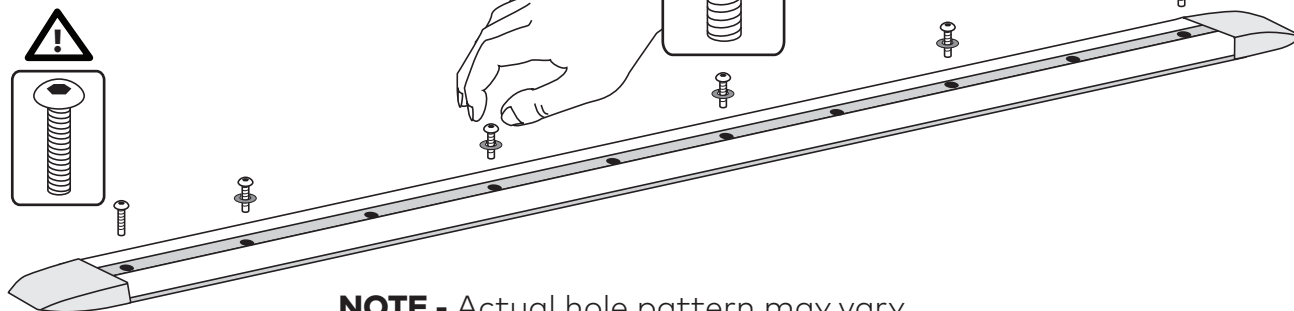
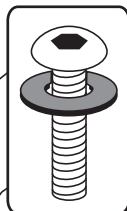
Place Track back onto canopy, ensure to align track holes to holes in Track Base and in canopy.



## 11 TRACK POSITIONING

Install Capscrews and small Black Nylon Washers into Track and canopy.

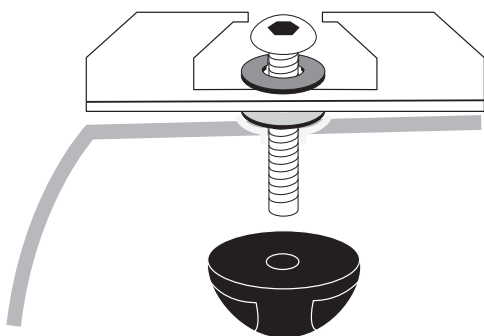
**NOTE - Do not** use washers on screws at **each end of tracks**.



**NOTE -** Actual hole pattern may vary.

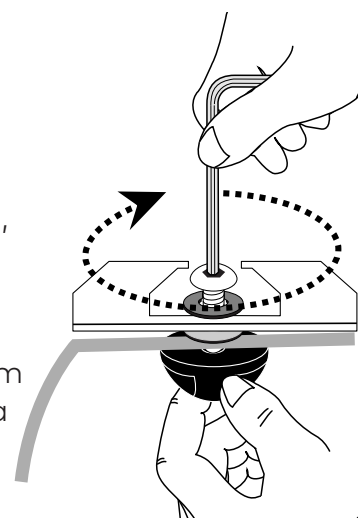
## 12 ATTACH CAP NUT

From inside your canopy, attach the Cap Nut as shown.



## 13 SECURE TRACK

With assistance from a friend, tighten the Capscrews through the Track from above using a 3 mm Allen Key.



### LOCKNLOAD LEG INSTALLATION:

Use fasteners and instructions supplied with Universal Track Bolt Kit (sold separately). Select appropriate kit (part # 8880676-8880680) depending on height packer requirements.

